

Mars-B1000 Series

Mars-B1000 Single-Lane Swing Barrier Turnstile

Mars-B1011 Single-Lane Swing Barrier Turnstile (w/ controller and RFID reader)

Mars-B1022 Single-Lane Swing Barrier Turnstile (w/ controller and fingerprint & RFID readers)



Highly Durable and Low Maintenance Costs

- Modularized structure design
- Exposed mounting holes for easy installation
- Mainly made of SUS304 stainless steel

PGIC Controller

- Equipped with a PGIC controller
- Access control
- General features and parameters settings on the controller's menu

LED Indicator

- Visual cues for correct walking direction
- Clear guidance with green and red illustration

Switchable Reader Panel

- Six panels available:
 - RFID only
 - RFID & Fingerprint
 - RFID & QR Code
 - RFID & Fingerprint & QR Code
 - RFID & Card Slot
 - RFID & Card Slot & QR Code
- Reducing middlemen's inventory pressure
- Reducing installation time & expenses

Installation Place for Facial Recognition A&C Terminals

- Diameter: 34mm
- Integration with Facial Recognition, Temperature and Mask Detection Terminals

Infrared Sensors

- 6 pairs of infrared sensors for stronger tailgating detection
- Maximum 12 pairs of sensors could be installed



Specifications

Model	Mars - B1000 Series
Power Requirements	AC100V to 120V / 200V to 240V, 50 to 60Hz
Working Power	55W; 22W (stand-by)
Drive Unit	Brushless Motor
MCBF	5 millions
Technical Throughput Rate	Up to 25 people per minute
Barrier Movement	Swing
Noise	<60dB
Infrared Sensor	6 pairs (option: ≤12 pairs)
LED Indicator	Support
Working Temperature	-25°C to 65°C
Working Humidity	20% to 95% (non-condensing)
Working Environment	Indoor / Outdoor (if sheltered)
Lane Width	650mm (option: ≤900mm)
Dimensions (L*W*H)	1360 * 180 * 1010 (mm)
Dimensions with Packaging (L*W*H)	1510 * 365 * 1216 (mm) (2 boxes)
Net Weight	100kg (±5kg)
Gross Weight	150kg (±5kg)
Cabinet Material	SUS304 stainless steel (option: SUS316 stainless steel)
Lid Material	SUS304 stainless steel
Barrier Material	Acrylic (option: SUS304 stainless steel or glass)
Packing Material	Wooden case
Protection Level	IP34

Applications



Airports

Stations

Gyms

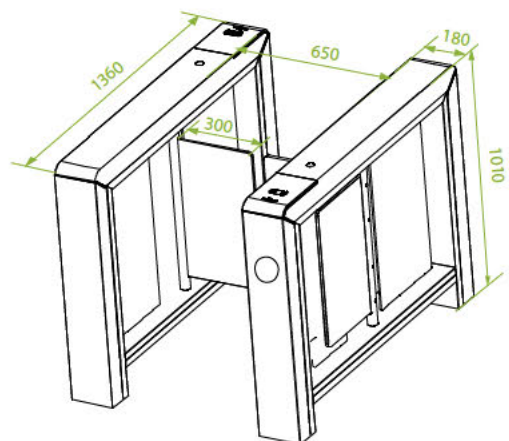


Government Buildings

Hotels

Banks

Dimensions (mm)



V9.0 2021.05.21



ZKTECO CO.,LTD.

Copyright © 2021 ZKTECO CO., LTD. All rights reserved.