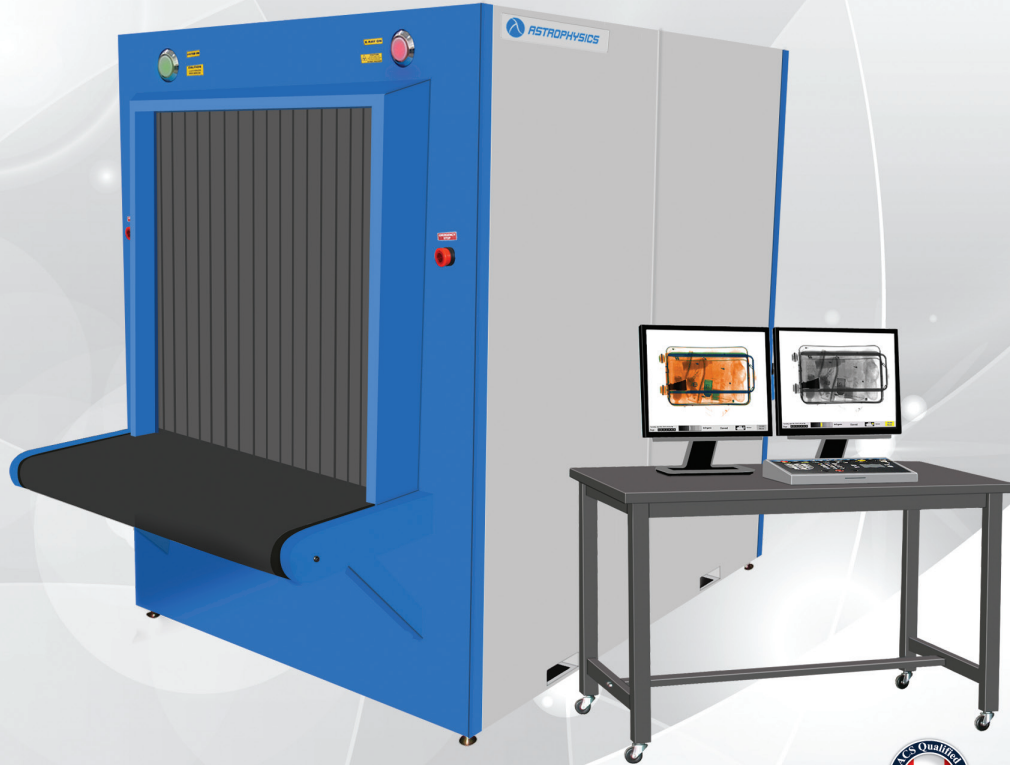




# ASTROPHYSICS™

TOMORROW'S TECHNOLOGY FOR TODAY'S SECURITY



## XIS-100X

## Mid-sized High Performance System Large Baggage and Parcel Inspection



### TRANSPORTATION

Airport entrances and perimeters,  
air cargo, and checkpoint technology.



### PORTS & BORDERS

Border control, sea ports, and  
other large cargo sectors.



### CRITICAL INFRASTRUCTURE

Access control for prisons, courthouses,  
mailrooms, hotel entrances and  
military bases.

The XIS-100X is a versatile X-Ray Inspection System with a tunnel size of 101.6 cm x 101.3 cm (40.0" x 40.0"). The XIS-100X is designed for screening oversized luggage, large parcels and small cargo.

The XIS-100X is a flexible, mid-sized system with ideal tunnel dimensions for diverse screening capabilities. The XIS-100X has the optimum tunnel size for maximized object screening with a minimized system profile. Thus, the system offers high throughput and improved efficiency for mid-level screening needs.

Ultimately, the XIS-100X is the cost effective screening solution for airports, customs facilities and high security sites.

All Astrophysics X-ray Inspection Systems are equipped with Real-Time Diagnostics, a unique Astrophysics feature which allows users to monitor system health. This software was specifically engineered to save you valuable time and money. If requested, Astrophysics would also be able to connect to your system and troubleshoot any issues remotely.

An exclusive Astrophysics option is our 6 Color Imaging, which enables operators to view screened objects in 6 colors, each color correlating to a specific range of Atomic Z-Numbers. 6 Color Imaging enables operators to achieve optimal material identification which improves throughputs.

Astrophysics is committed to providing quality products and services nationwide. We listen to our customers and offer customizations and order flexibility based on their needs.

Backed by a team of engineers from our City of Industry, California center of excellence headquarters, Astrophysics designs cutting-edge X-ray screening technology for detecting weapons and contraband for transportation, ports, borders, critical infrastructure and other industries that present security risks.

Astrophysics is headquartered in the United States and maintains a global presence with service delivery worldwide. Astrophysics is committed to global safety and is proud to present this new age of screening security—driving the industry into the technology of tomorrow.





## GENERAL SPECIFICATIONS

- Tunnel Opening: 101.6 cm x 101.3 cm  
(W x H) 40.0" x 40.0"
- Dimensions<sup>2</sup>  
(L x W x H) 277.5 cm x 137.2 cm x 191.9 cm  
109.4" x 54.0" x 76.0"
- Shipping Dimensions<sup>2</sup>  
(L x W x H) 297.2 cm x 150.0 cm x 224.0 cm  
117.0" x 59.0" x 88.0"
- Net Weight<sup>2</sup>: 980 kg (2165 lbs)
- Shipping Weight<sup>2</sup>: 1300 kg (2860 lbs)
- Conveyor Speed: 23 cm/s (45 ft/min) Forward or Reverse
- Conveyor Height: 72.0 cm (28.0") from Floor
- Conveyor Capacity: 200 kg (440 lbs) Evenly Distributed Load

## TECHNICAL

- Wire Resolution: 40 AWG Typical, 38 AWG Standard
- Spatial Resolution: 1.0 mm Horizontal, 1.3 mm Vertical
- Steel Penetration: 39 mm Typical, 37 mm Standard
- Contrast Sensitivity: 24 Visible Levels, 4096 Gray Level
- Film Safety: Guaranteed up to ISO 1600 (33DIN)

## X-RAY GENERATOR

- Voltage: 180kV, Operating at 165kV
- Tube Current: 1.2 mA
- Cooling: Sealed Di-Electric Oil Bath with Forced Air
- Duty Cycle: 100%, No Warm-Up Procedure Required
- Beam Direction: Diagonally Upward
- Detector: 2304 Channels in an L-Shaped Array

## COMPUTER

- Processor: Intel® Core i5
- Memory: 4 GB RAM
- Storage: 500 GB HDD, 120 GB SSD
- Video Card: 1 GB Video Card
- Platform: Windows® OS
- Backup: Uninterruptible Power Supply  
(Computer Operation - 20 Minute)

## VIDEO

- Display Type: Dual 19" LCD Color Monitors
- Display Resolution: 1280 x 1024; 24 Bit/Pixel Color

## ENVIRONMENTAL

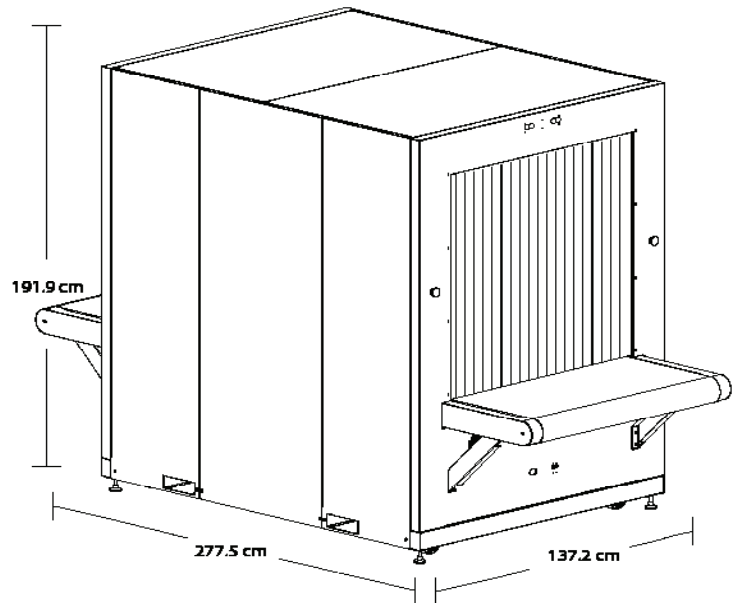
- Operating Temperature: 0°C - 40°C \ 32°F - 104°F
- Storage Temperature: -20°C - 60°C \ -4°F - 140°F
- Humidity: Up to 95% Non-Condensing

## ELECTRICAL

- Power Requirements: 110VAC±10%, 50/60Hz, 15 Amp Max  
220VAC ±10%, 50/60Hz, 10 Amp Max

## HEALTH AND SAFETY

- Compliant with USFDA, Center for Devices and Radiation Health Standards for Cabinet X-Ray Systems (21-CFR 1020.40)
- Typical radiation leakage is less than 0.1 mR/hr (Leakage less than 0.5 mR/hr permitted by the Federal Standard)



## STANDARD FEATURES

- 6 Color Imaging
- 9 Quadrant Zoom
- Atomic Z-Number Measurement
- Auto Image Archiving (150,000)
- Baggage Counter
- Color and Black/ White Imaging
- Continuous Scanning
- Continuous Zoom up to 64x
- Vertical Zoom Panning
- Geometric Image Distortion Correction
- High Penetration Function
- Heavy Duty Roller Casters
- Image Annotation
- Image Review
- JPEG Conversion
- Material Discrimination
- Multi-Tier Accessibility
- Network Ready
- Organic/ Inorganic Imaging
- Operator Training Program (OTP)
- Picture Perfect
- Print Image Capable
- Pseudo Color
- Real-Time Image Manipulation
- Real-Time Self Diagnostics
- Reverse Monochrome
- Save Image (RGB)

## OPTIONAL FEATURES<sup>3</sup>

- 24" LCD Monitors
- Custom Paint
- Density Alert
- Entry/ Exit Roller Tables (50 cm Increments)
- Footmat Operator Interlock
- Image Analysis Program (IAP)
- Image Analysis Program - LITE (IAP - LITE)
- Larger Heavy Duty Casters
- Local Language Support
- Polar Kit
- Radiation Meter
- Remote Workstation Configuration
- Screener Assist Software
- Sloped Conveyor
- Test Case
- Threat Image Protection (TIP) Software
- Tropical Kit
- Wireless Barcode Scanning



<sup>1</sup> As tested on Astrophysics Inc. Test Piece.

<sup>2</sup> Weight and dimensions of the system may vary depending on customization.

<sup>3</sup> Optional features may affect lead time price, and weight of XIS-100X. Please contact your Astrophysics Sales Representative for more information.

<sup>4</sup> Maximum Values on ASTM F792 Test Piece.

Due to continued product research and development, Astrophysics Inc. reserves the right to amend all technical specifications without prior notice.